

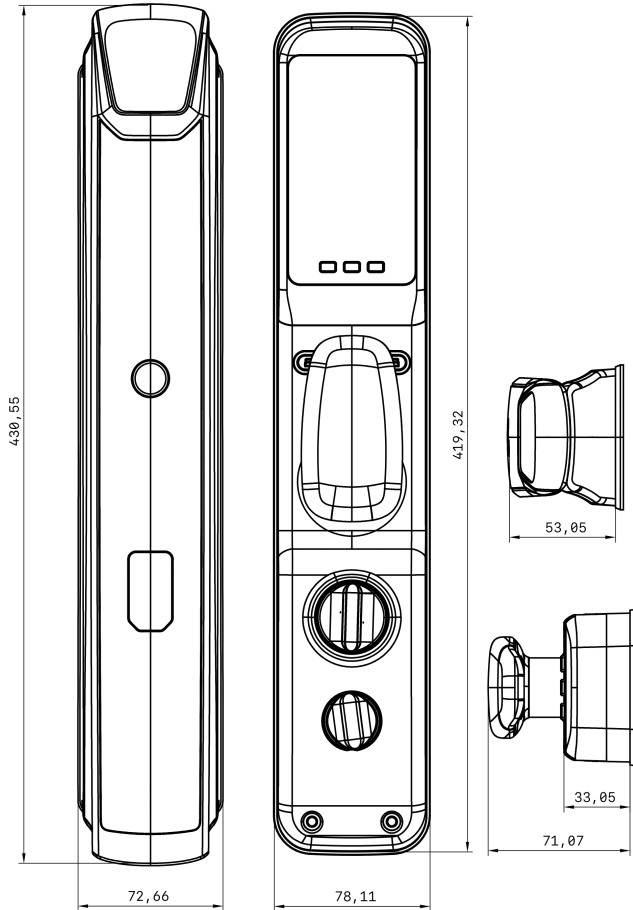
User Manual v1.1



Reminder

The fingerprint lock mechanical key is used as an emergency unlocking method, please do not place it indoors!

1.Product Size



2.Parameter Table

Material	Aluminum alloy	Color	Star Grey/Bright Grey
Information capacity	300pcs (Admin : 9pcs)	Fingerprint	semiconductor
Fingerprint head type	100pcs	Response speed	<1S
Card type	M1、IC 13.56MHz	Static power	≤80μA
Power supply	Lithium battery 4200mAh	Operating temperature	-20℃ ~ 60℃
Emergency interface	Micro USB	product weight	3.7KG
Mortise	6068	Applicable door thickness	40 ~ 80mm
Unlocking method	Fingerprint, password, card, mechanical key, APP remote, 3D face (optional)		

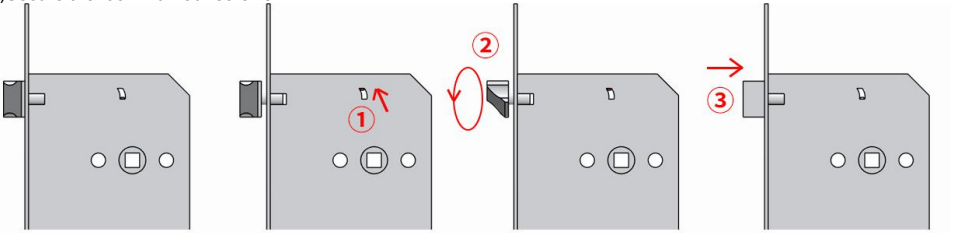
3.Product Installation

3.1 Install Mortise

(1)Cut holes according to Cutting Template 1:1

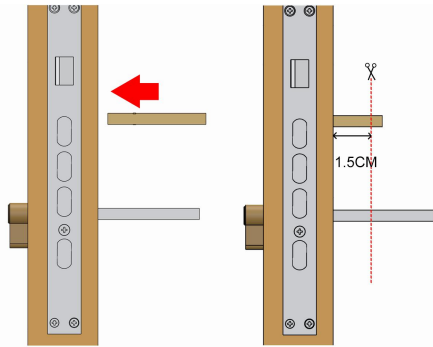
(2)Adjust the oblique tongue direction of the mortise according to the actual door opening direction.

(3)Secure the lock with four screws



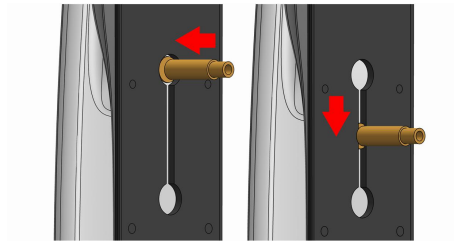
3.2 Install cylinder

(1)Screwing the lock cylinder.The length of the cylinder rod and shaft rod exceeds the door thickness by 1.5cm, the excess part is cut off.

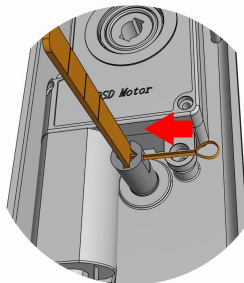


(2)Install studs

Push the stud into the slot of the base plate, select the appropriate position according to the position of the door hole, and fix it.

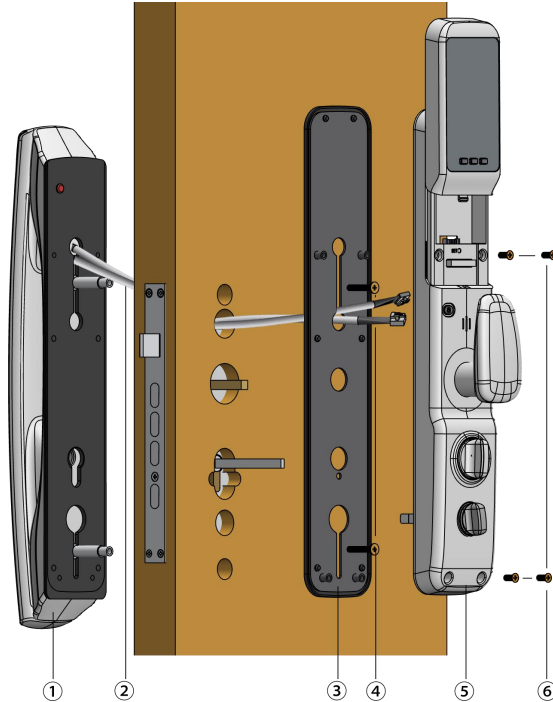


(3)Remove the rear panel, install the reverse locking lever, and secure it with a pin.



3.3 Install lock

- (1) Front panel ① mounting, put the two data cables② through the door hole, two studs aligned with the door hole.
- (2) Secure the base plate③ to the front panel with screws④.
- (3) Connect the data cable from the front panel to the rear panel⑤.
- (4) Remove the screen cover from the rear panel⑤ and secure the rear panel to the base plate with four screws⑥.
- (5) Install the lithium battery and cover the screen. complete the installation.
- (6) Functional testing.



4. System Setting

Press * # to enter the system, with an initial password of 123456 #.

There are four main menus: 1. Administrator settings; 2. User settings; 3. System settings; 4. Restore the initial factory settings.

Press the voice navigation to select the menu for settings, return with the "*" key, and confirm with the "#" key.

4.1 Administrator setting	1.Add admin	Please enter administrator information Fingerprint: Place your finger on the head of the fingerprint. Repeat 4 times Password: 4-8 digits, repeated twice Card: Place the card in the swipe area once Administrator information: 9 groups (numbers: 001-009)
	2.Add face	3D Face recognition
	3.Delete admin	Please enter the deleted administrator number (001-009) Number 001 cannot be deleted
4.2 User setting	1.Add user	Please enter user information User information: 200 groups (numbers: 010-299)
	2.Add face	3D Face recognition
	3.Delete user	1. Number deletion: User number (010-299)

		2. Delete All
4.3 System setting	1.General setting	1. Set date time 2. Lock Num 3. Language/Sound 4. Unlock set
	2.Factory setting	Verifica Admin and # to confirm
	3.Net Configuring	
	4.Automatic lock	1. Lock set 2. Motor set
4.4 Record	1.Query by time	
	2.Query by Num	
	3.Storage info	
	4.Version info	

5.Other Function Description

- (1) **Password error alarm:** If the incorrect password is entered continuously for more than 5 times, the keyboard will be locked for 30 seconds, and the system will be locked within 30 seconds.
- (2) **Password anti peeping:** When opening the door with a password, add any number before and after the normal password to unlock.
- (3) **System automatic exit:** If the system does not operate for more than 10 seconds, it will automatically exit.
- (4) **Low battery reminder:** If the voltage is lower than 6.8V, the system will automatically alarm and the rear door lock can be unlocked about 200 times. Please replace the battery as soon as possible.
- (5) **Normally open mode:** After unlocking, press "5 #" to set the normally open mode; Unlock once using any unlocking method, and cancel the normally open mode.

6.Initialize the system

Method 1: Open the rear panel battery cover, press and hold the "Reset" button for 6 seconds, and press the "#" button to confirm. The initialization is successful.

Method 2: System initialization, please refer to section 4.3 of this manual.

7.TuyaSmart App Settings

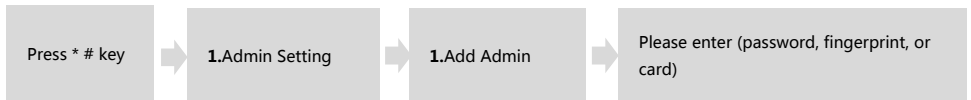
7.1Download APP

Search for "tuya smart" in the App Store of the IOS system or the App Market of the Android system, or directly scan the doodle QR code on the right to download, and register as an APP user using your phone number.

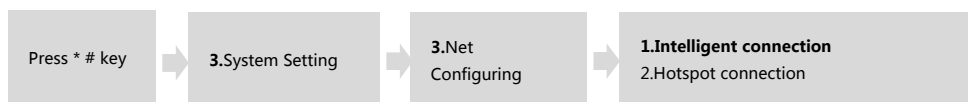


7.2 Add device

(1)Add an admin. Press the * # key on the lock, enter the admin information (initial password is 123456 #), select "1", and add an admin.

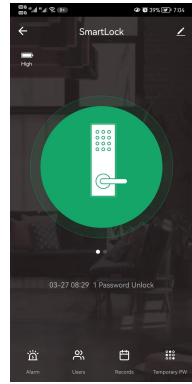
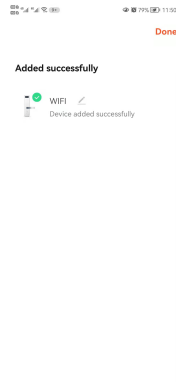
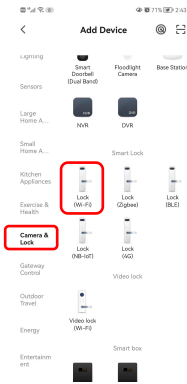
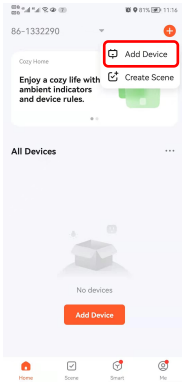


(2)Press * # again to enter the system, enter the set administrator information "***** #", select "3" - "3" Net Configuring, and next select "1" intelligent connection. If it is invalid, you can choose "2" hotspot connection. When the number on the lock flashes, it indicates that you are requesting networking, and the next step is to operate the app.



(3)Open Bluetooth and WiFi on your phone and click on the Tuya app, click the "+" sign in the upper right corner, select "Add Device" to enter the Add Device page, click "Add" to enter "Camera/Lock", and select "WiFi Door Lock".

(4)Enter the WiFi settings page, enter the WiFi network account and password that can be connected, and click "Next". Note that WiFi only supports 2.4G and does not support 5G. Wait for the configuration to be completed. You can customize the name and click 'Next' to complete the distribution network.



8. Remote Unlock

Press the lock doorbell "" to remotely request unlocking. The mobile app will receive the request message, click on the app unlocking icon, and "confirm" or "cancel" unlocking.

